

iF-11F

DYNAMIC FACE RECOGNITION AND FINGERPRINT TIME ATTENDANCE DEVICE



Product Features

- Designed and equipped with AI-accelerated CPU, relying on deep learning algorithms.
- Wide dynamic range, support accurate face recognition under Strong light, dark light and backlight.
- Dynamic dual-camera anti-counterfeiting, to prevent all kinds of black-and-white, color photos and videos from deception
- Support mask detection and face recognition with mask on.



Dynamic face recognition



Fingerprint



Password

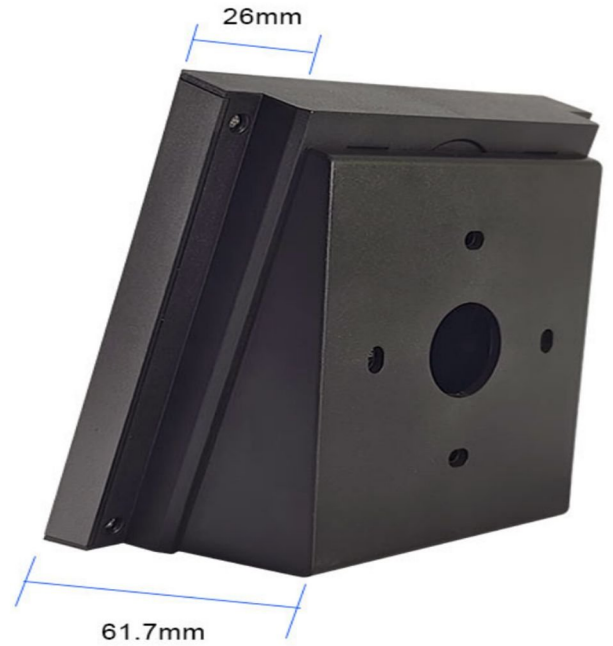


ID/IC card optional

Technical Specification

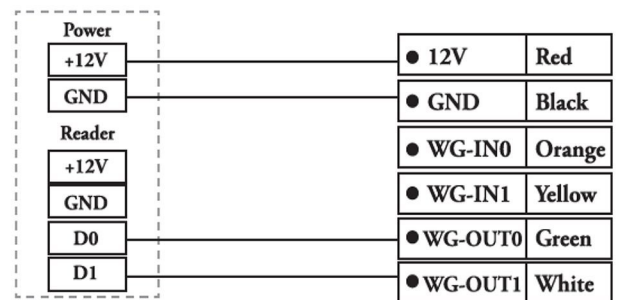
Model	iF-11F
Working Mode	Online/Offline
Display	4.3" Capacitive LCD touch screen
Fingerprint capacity	2MP color camera + 2MP infrared camera
Record capacity	Face recognition, Fingerprint, password, ID Card
Face / Fingerprint / Card	5000 / 10,000 / 5000
Logs capacity	500,000
Face Recognition Accuracy	99.70%
Recognition Speed	≤ 0.2S
Recognition Distance	0.5~2.5 meters (0.5~1.5 meters with live face recognition on)
Power supply	DC12V 1A
Built-in Battery	74V, 2000mA (In-built Battery backup 2-3 hours)
Communication	TCP/IP, USB, WIFI
Software	Local software and web based cloud software
Intelligent function	Live face detection
Language	English, Spanish, Arabic, Thai, Farsi, Portuguese, French, etc
Working temperature:	0~45°C
Working humidity	20% ~90%
Dimension	125x130x26x61.7(mm)

Product Dimension



Device Wiring Port Schematic

White	Bell+	Door Bell+
Gray	Bell-	Door Bell-
Purple	WG OUT1	Wiegand OUT1
Brown	WG OUT0	Wiegand OUT0
Yellow	Lock NC	Normal closed end of the control lock signal
Blue	Lock COM	The common end of the control lock signal
Orange	Lock NO	Normal opened end of the control lock signal
Green	Button	Open signal
Black	GND	GND
Red	12V	12V



Access Controller

Device Connection Diagram

