

## REALTIME MONITORING BIOMETRIC TIME ATTENDANCE DEVICE

### Product Features

- Multiple identifications: Fingerprint, Password and card.
- 500 Dip hidden fingerprint sensor for dry fingerprint and strong sunshine.
- Wiegand in&out to combine with an access controller such as ACB-001, 002, 004, and RFID readers.
- Standard TCP/IP, RS485, USB for communication with computers and servers together.
- **Realtime attendance Monitoring** with free software management and access control.
- Lighted keypad for easier operation and use at night.
- Two doors interlock function: A door opens, B door closed
- **Professional access control**, Tamper alarm, duress alarm, door open alarm, Wiegand input and output, door magnetic detection, anti-passback, interlock, fire linkage and other professional access control functions.



Fingerprint



RFID



Password



Door Bell



Access Control

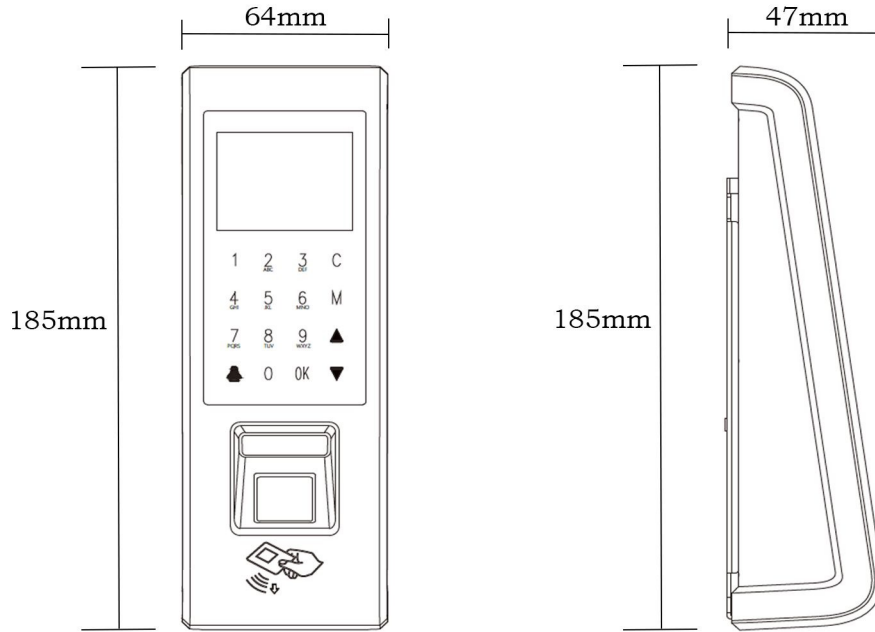


WI-FI

### Technical Specification

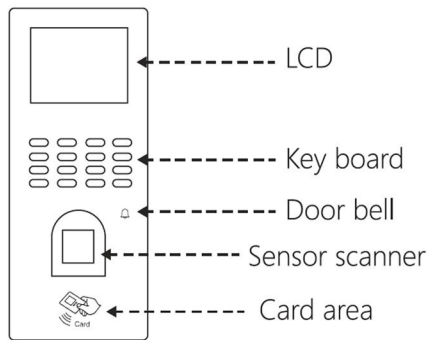
Model	F-70
Working Mode	Online/Offline
Fingerprint capacity	3000
Record capacity	200,000
Display / Input	2.0-inch TFT color screen / Touch keyboard, T9 input
Verification Speed	≤0.8s
Identification Style	Fingerprint, Password, (ID) Em card, HID Card
Communication	WG26/34 /RS485 / USB disk upload & download / TCP IP / Cloud
Anti-pass-back / Interlock	Indoor & Outdoor / A - B doors
Access Control Interface	3rd Party Electric Lock, Door Sensor, Exit Button, Alarm, Doorbell
Working Voltage	DC9V~12V/1A
Language	English, Arabic, French etc.
Software	SDK, Desktop & Cloud Web Based
Operating Humidity	20% - 80%
Operating Temperature	0°C- 45°C
Dimension	185x64x47(mm)

## Product Dimension

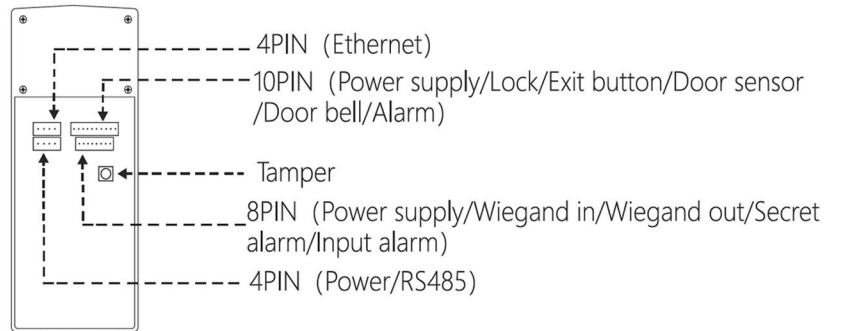


## Device Wiring Port Schematic

The front side



The back side



## Device Connection Diagram

