

FINGERPRINT/WI-FI ACCESS CONTROL READER

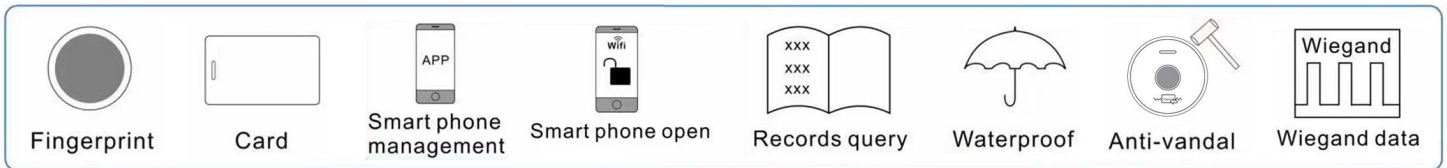


Product Features

- Operating way: Fingerprint/Card/Mobile Application.
- Working mode: Pulse Mode, Toggle Mode.
- High sensitivity semi-conductor finger print sensor.
- Indication: LED and electronic buzzer.
- Multi-functional standalone access control with wiegand 26
- Suitable for all kinds of access control system.
- Built-in high-current output drive for the electric lock.
- Support admin card for add and delete function.
- Data backup function to check visitor records.

Tuya application function

- Remote unlock by mobile application.
- Manage users from mobile application.
- Door status check with app.

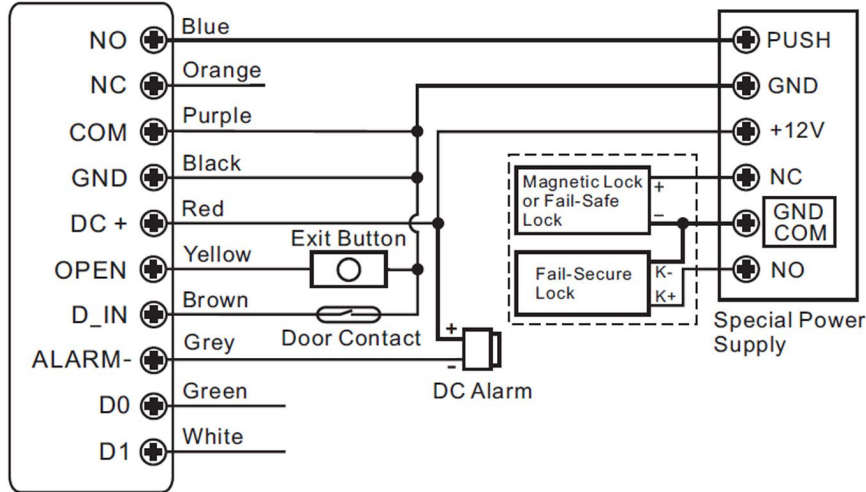


Technical Specification

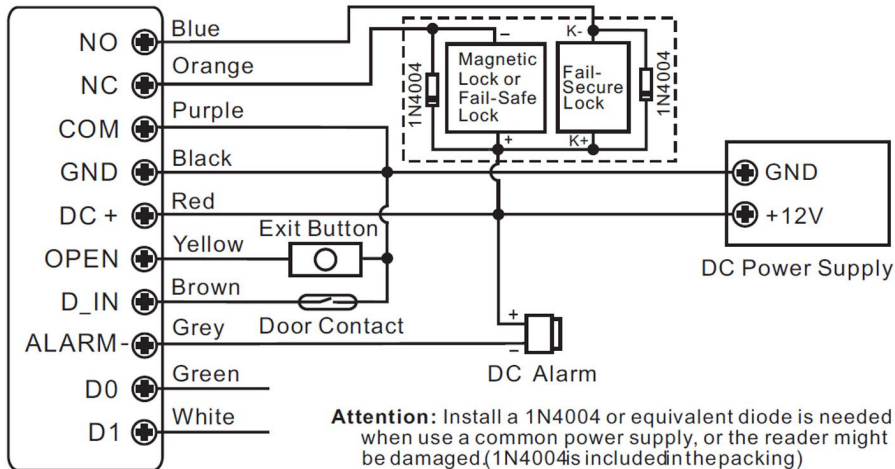
Model	F-F7DW
Card Capacity	400
Fingerprint Capacity	200
Working Mode	Pulse mode, Toggle mode
Card Type	EM(ID) card 125KHz
Output Format	WG26 Output/Input,
Open Mode	Fingetprint/ Card/ Mobile Application
Operating Voltage	DC 12V-24V ±10%
Operating Current	<80mA
Idle Current	40±5 mA
Lock Output Load	Max 2A
Card Reading Distance	30~60mm
IP Rating	IP66
Operating Temperature	-40°C~60°C
Operating Humidity	0%-98% RH
Dimensions	φ63*16(mm)

Wiring Diagram

Special Power Supply



DC Power Supply



Connection Details

NO.	Function	Colour	Notes
1	NC	Orange	Relay NC
2	COM	Purple	Relay COM
3	NO	Blue	Relay NO
4	GND	Black	Negative Pole, Connect to power supply Negative Pole
5	DC+	Red	Positive Pole, Connect to power supply Positive Pole
6	OPEN	Yellow	Exit Button
7	D_IN	Brown	Door Contact
8	ALARM-	Grey	Connect to external alarm negative pole
9	D0	Green	Wiegand Output/Input Data 0
10	D1	White	Wiegand Output/ input Data 1