

OUTDOOR FINGERPRINT ACCESS CONTROL READER



Product Features

- **Operating way:** Fingerprint and card.
- High sensitivity fingerprint sensor
- Waterproof & vandalproof.
- **Indication:** LED and electronic buzzer.
- Multi-functional standalone access control with wiegand 26.
- Suitable for all kinds of access control system.
- Built-in high-current output drive for the electric lock.
- Support admin card for add and delete function.
- Easy to install, easy to use, stable performance.

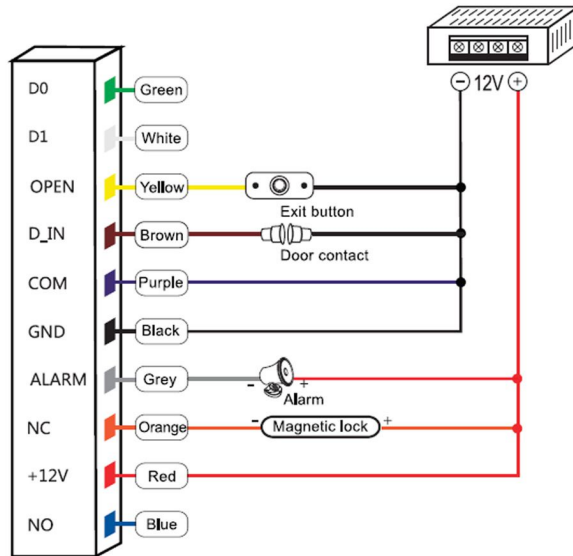
Technical Specifications

Model	F-605W
Fingerprint Capacity	300
Card Capacity	10,000
Card Type	EM (125Khz)
Output Format	Wiegand 26 bits (default)
Open Mode	Fingerprint/ Card
IP Rating	IP68
Operating Voltage	DC12-24V
Operating Current	≤100mA
Idle Current	≤35mA
Electric Lock Output	≤1A
Card Reading Distance	20~50mm
Backlight	Yes
Door Opening Time	0~200s (Adjustable)
Operating Temperature	-40°C~60°C
Operating Humidity	0%-90% RH
Dimensions	45×118×27(mm)

Product Dimension

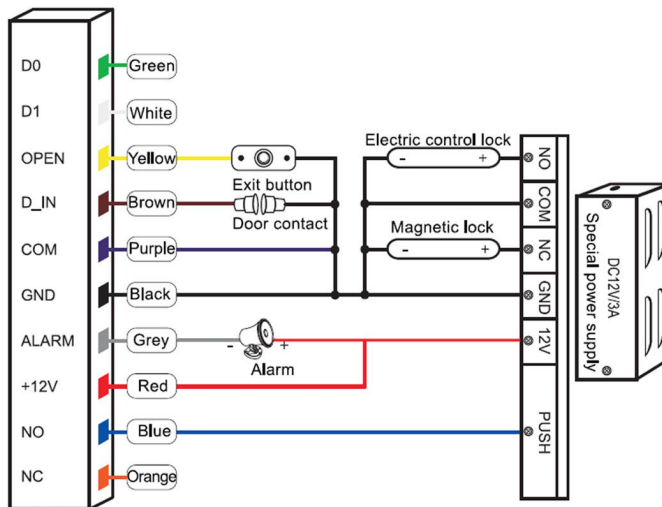


Wiring diagram with DC power supply



Note: Door contact and alarm function are optional

Wiring diagram with special power supply



Note: Door contact and alarm function are optional

Connection Details

No.	Color	Marks	Description
1	Green	D0	Wiegand input (Wiegand output as reader mode)
2	White	D1	Wiegand input (Wiegand output as reader mode)
3	Grey	ALARM	Alarm signal MOS tube drain output end (optional)
4	Yellow	OPEN/ BEEP	Exit button input end (Beeper input as reader mode)
5	Brown	D_IN/ LED	Door contact switch input end (LED input as reader mode) (optional)
6	Red	+12V	Positive power supply
7	Black	GND	Negative power supply
8	Blue	NO	Relay NO end
9	Purple	COM	Relay COM end
10	Orange	NC	Relay NC end