



eLock-1200LDX2

Features

eLock-1200LDX2 Series electromagnetic locks offer cost effective solution with easy installation & suitable for variety of application. It has no moving parts thus keeping maintenance to a minimum.

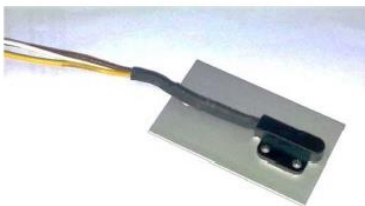
Specification

- 2X1200lbs holding force (Double Magnets)
- Specially designed for double leaf doors
- Dual voltage 12 & 24 Vdc
- Current drawn 2 X (500mA / 250mA)
- MOV surge protection
- Fail-Safe type
- Door Status Sensor indicates the doors in an open or close status
- Door status output: SPDT rated: 0.2A/12VDC
- Monitored version, Built-in Bond sensor indicate the locked & unlocked status with visible LED indicator
- Push-off button on armature for instant release
- Dimension : -

Magnet : 265x2(L) X 66(W) X 40(D) mm

Armature Plate : 200(L) X 60(W) X 17(D) mm

Door Status Sensor



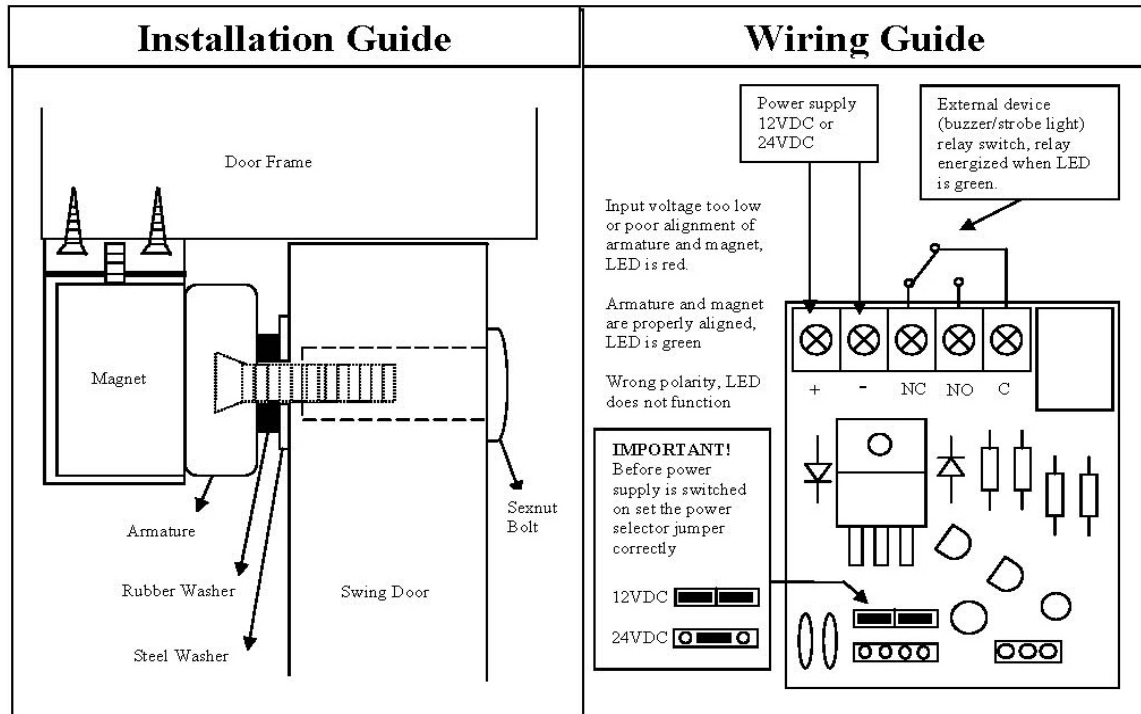
Wire Terminals

White	COM
Brown	NO
Yellow	NC

Door status Signal

Terminals	Door Closed	Door Opened
White - Brown	Open	Close
White - Yellow	Close	Open

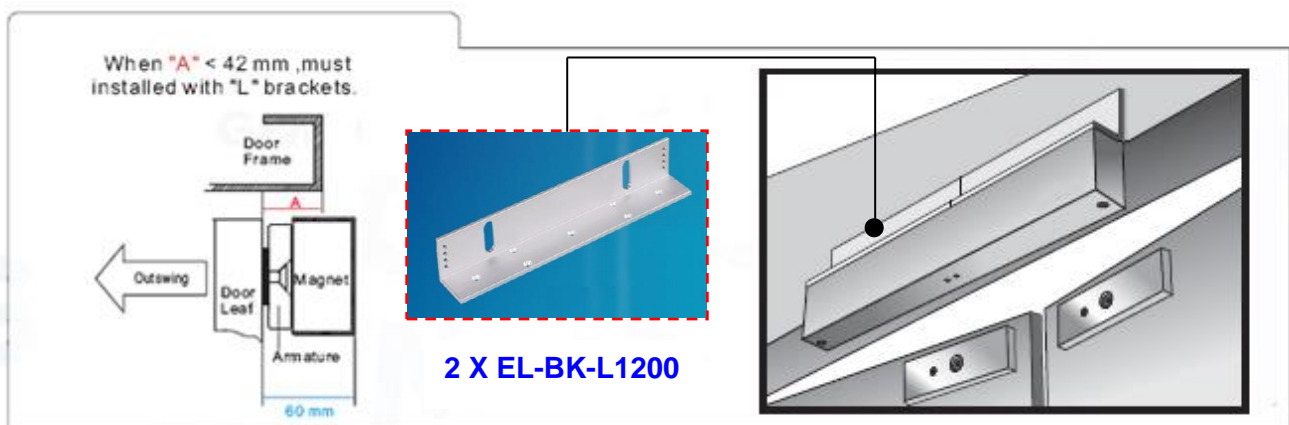
User Guide



Optional Brackets

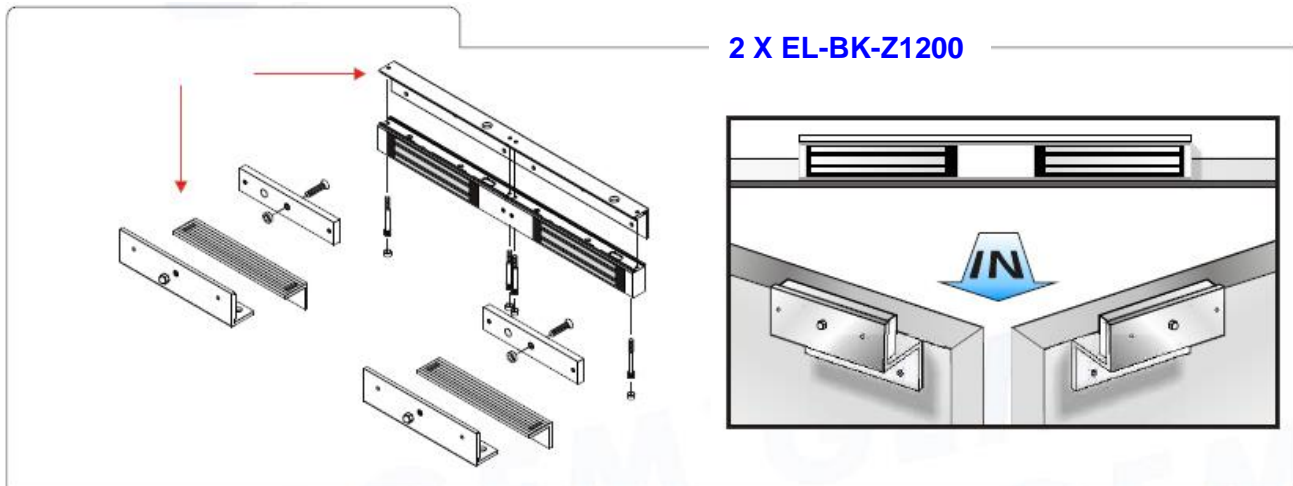
EL-BKL (L Bracket)

- Adjustable "L" bracket for outward door when the header is narrow.



EL-BKZ (ZL Bracket)

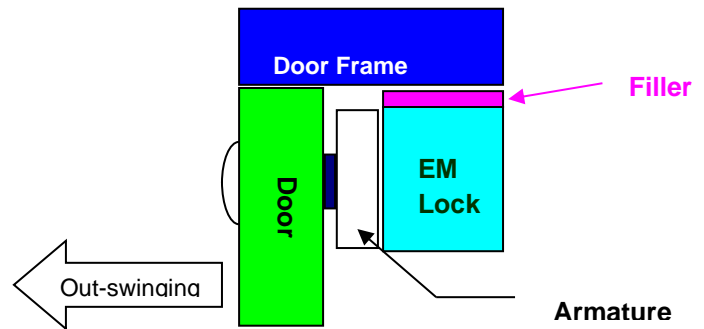
- Adjustable "ZL" bracket for inward door application.



Mounting Diagram

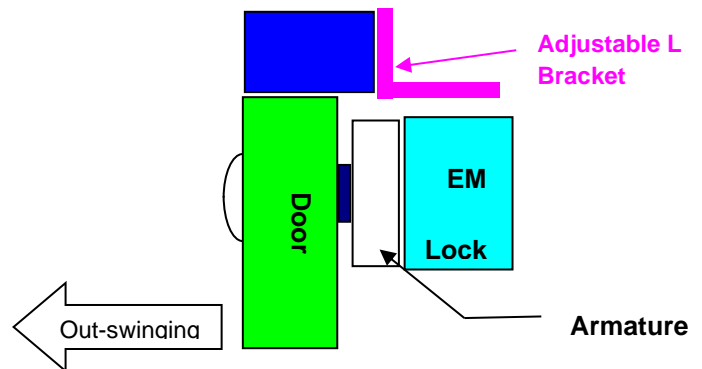
Standard Mounting:

- With Filler Plate attached on top of EM Lock.



L Bracket Mounting :

- Mounting with "Adjustable L Bracket" when Door frame is narrow.
- Mounting Procedure :-
Remove the original "Filler Plate" attached to EM Lock, replaced with " Adjustable L Bracket " set.



ZL Bracket mounting :

- Mounting with " ZL Bracket " for In-swing door application.
- Mounting Procedure :-
Remove the original "Filler Plate" attached to EM Lock, replaced with " Adjustable ZL Bracket " set.

