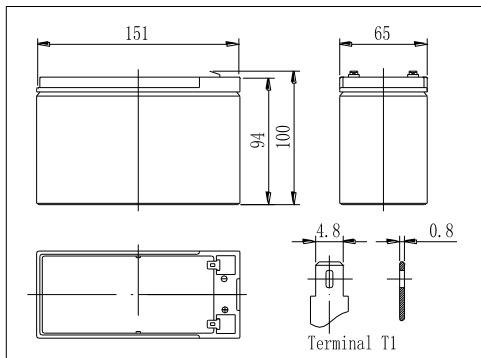
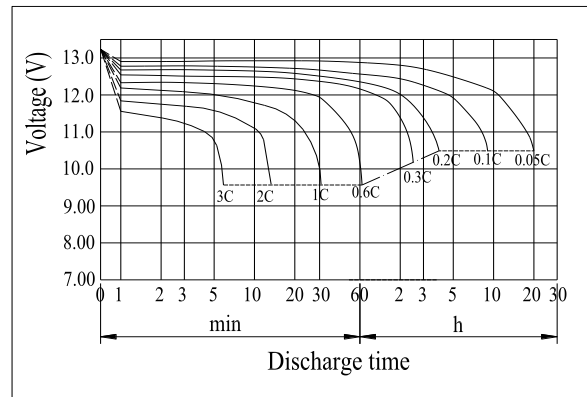




Dimensions



Discharge Characteristics(25°C)

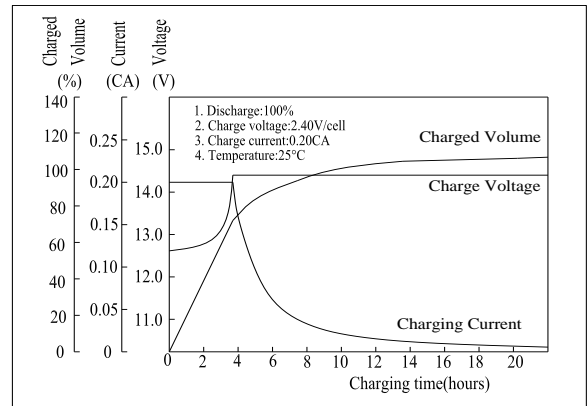


Specifications

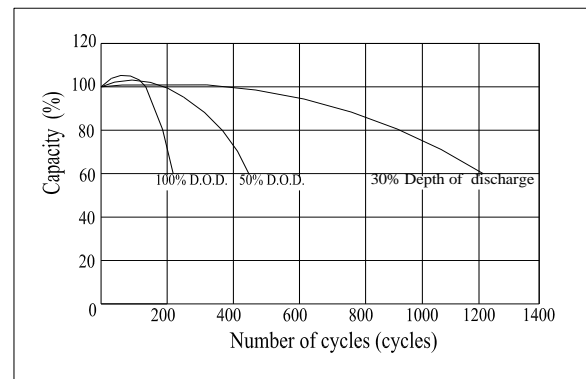
Nominal Voltage		12 V
Capacity(20HR, 25°C)		7.0 Ah
Dimension	Length	151mm (5.94inch)
	Width	65mm (2.56inch)
	Height	94mm (3.70inch)
	Total Height	100mm (3.94inch)
Approx. Weight		2.15kg (4.9lbs)
Internal resistance (Fully charged, 25°C)		Approx. 28mΩ
Capacity affected by temperature (20HR)	40°C	102%
	25°C	100%
	0°C	85%
	-15°C	65%
Self-discharge (25°C)	3 month	Remaining Capacity: 91%
	6 month	Remaining Capacity: 82%
	12 month	Remaining Capacity: 65%
Nominal operating temperature		25°C ± 3°C (77°F ± 5°F)
Float charging voltage(25°C)		13.60 to 13.80V
Cyclic charging voltage(25°C)		14.50 to 14.90V
Maximum charging current		2.1A
Terminal material		Copper
Maximum discharge current		105A(5 sec.)

◆ Absorbent glass mat technology;

Charging Characteristics(25°C)



Cycle Life(25°C)



Note: Service life (floating) at 25°C for 3 to 5 years.

Constant Current Discharge Characteristics (A, 25°C)

F.V/TIME	5min	10min	15min	30min	60min	2h	3h	4h	5h	10h	20h
9.60V	26.8	16.9	13.4	7.47	4.58	2.50	1.80	1.44	1.22	0.67	0.36
9.90V	26.0	16.4	13.1	7.32	4.51	2.49	1.79	1.43	1.22	0.66	0.36
10.2V	24.9	15.7	12.6	7.10	4.40	2.47	1.77	1.42	1.21	0.66	0.35
10.5V	23.8	15.1	12.2	6.93	4.31	2.43	1.76	1.41	1.20	0.66	0.35
10.8V	22.5	14.2	11.5	6.67	4.18	2.37	1.71	1.37	1.16	0.64	0.35

Constant Power Discharge Characteristics (Watt, 25°C)

F.V/TIME	5min	10min	15min	30min	60min	2h	3h	4h	5h	10h	20h
9.60V	299	191	153	85.6	53.1	29.3	21.4	17.1	14.6	7.99	4.29
9.90V	290	185	149	83.9	52.3	29.1	21.2	17.0	14.5	7.95	4.28
10.2V	278	177	144	81.4	50.9	28.9	21.1	16.9	14.4	7.92	4.26
10.5V	266	170	139	79.4	49.9	28.4	20.9	16.8	14.3	7.87	4.23
10.8V	251	160	131	76.5	48.4	27.7	20.3	16.3	13.9	7.71	4.15