

CARD LOCKS

— EUROPEAN / ANSI STANDARD



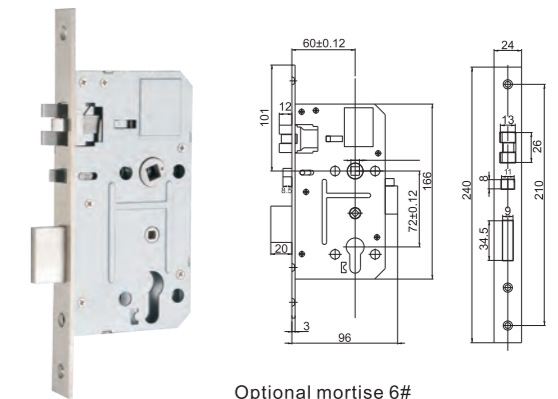
Slim Simplified Design



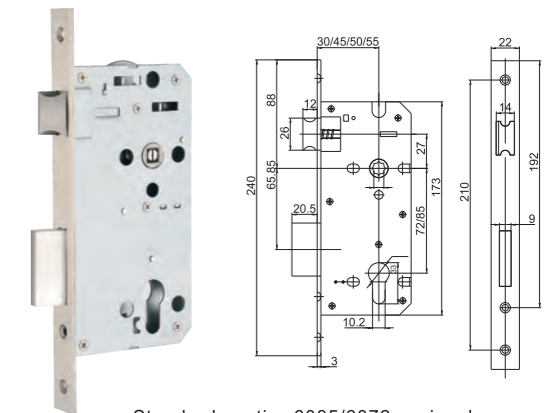
Contactless technology

929SS-33-D
Stainless steel

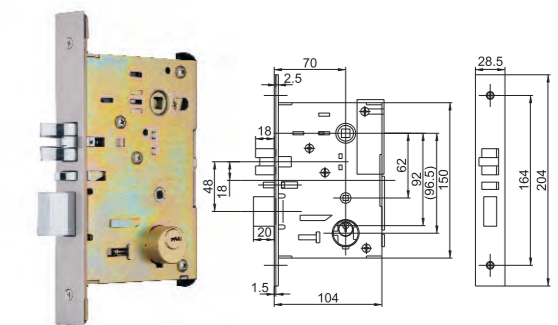
- 304 Stainless steel
- Applicable with European standard mortise or ANSI mortis
- Replace old mechanical lock easily, No need to change old mortise or old door
- Detect card mode: advanced Micro Wave
- Hidden cylinder cover
- Can work with software or without software (should specify when give order)
- Suitable for Hotel, Commercial office, School, Government, Hospital, Marine, Residence.



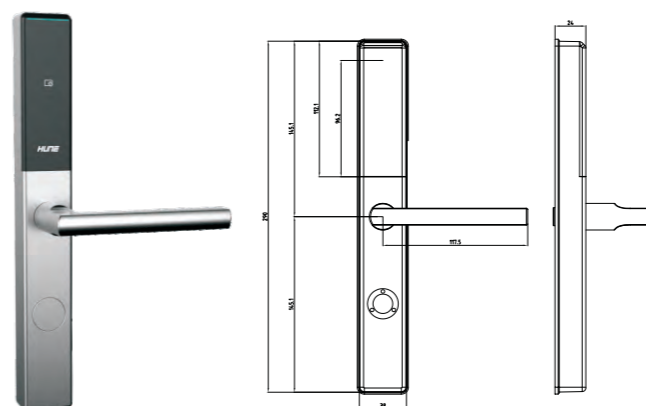
Optional mortise 6#



Standard mortise 6085/6072 panic release



Optional mortise ANSI



929SS-33-D
Stainless steel

Applicable card:	Mifare 1
Material:	Stainless steel 304
Mechanical key override:	Yes
Battery:	4 standard AAA alkaline batteries, 18 months in normal state
Indication:	Light, Sound (Mute, Beep, or music optional)
Deadbolt Indication:	Blue and red light when touch key card
Unlocking record for trail:	Yes
Low voltage warning:	Yes
Passage mode for meeting room:	Yes
Static consumption:	12uA
Dynamic consumption:	300mA
Humidity:	20%-80%
Working temperature:	-10°C~60°C
Handle optional:	None
Packing:	6PCS/CTN, 18KGS/CTN, 38*36*37CM