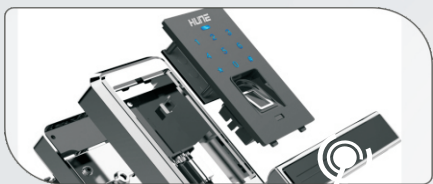


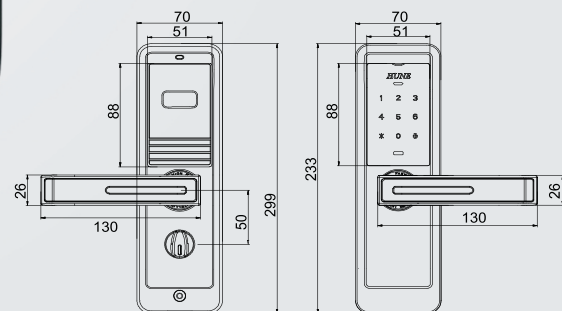
918-88-M



Patented Mechanical and Electronic Split Design



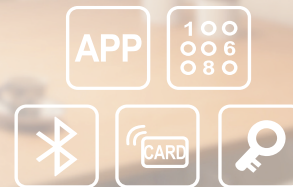
DIMENSION(mm)



PARAMETER

- **Material** : Zinc Alloy
- **Unlock Way** : Password/Card/Bluetooth/Mechanical Key
- **Keypad Type** : 12 Digital Touch Keypad
- **User** : Maximum 50 Password Users/250 Card User
- **Power Supply** : 4pcs AAA 1.5V Alkaline Batteries
- **Mortise** : Europe 5050/6072, ANSI, Single Latch

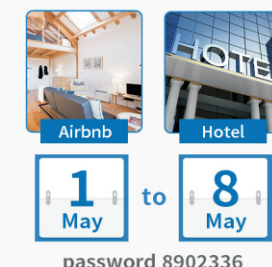
OPTIONAL COLOR



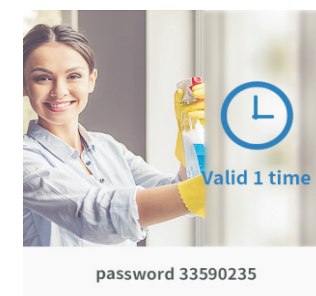
Simplified Pre-installation Series



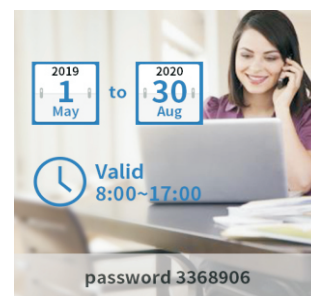
Remote Open By Bluetooth



Offline Generate Password



Temporary Access For House Keeper



Periodic Access For Staff



Unlock Record Tracking